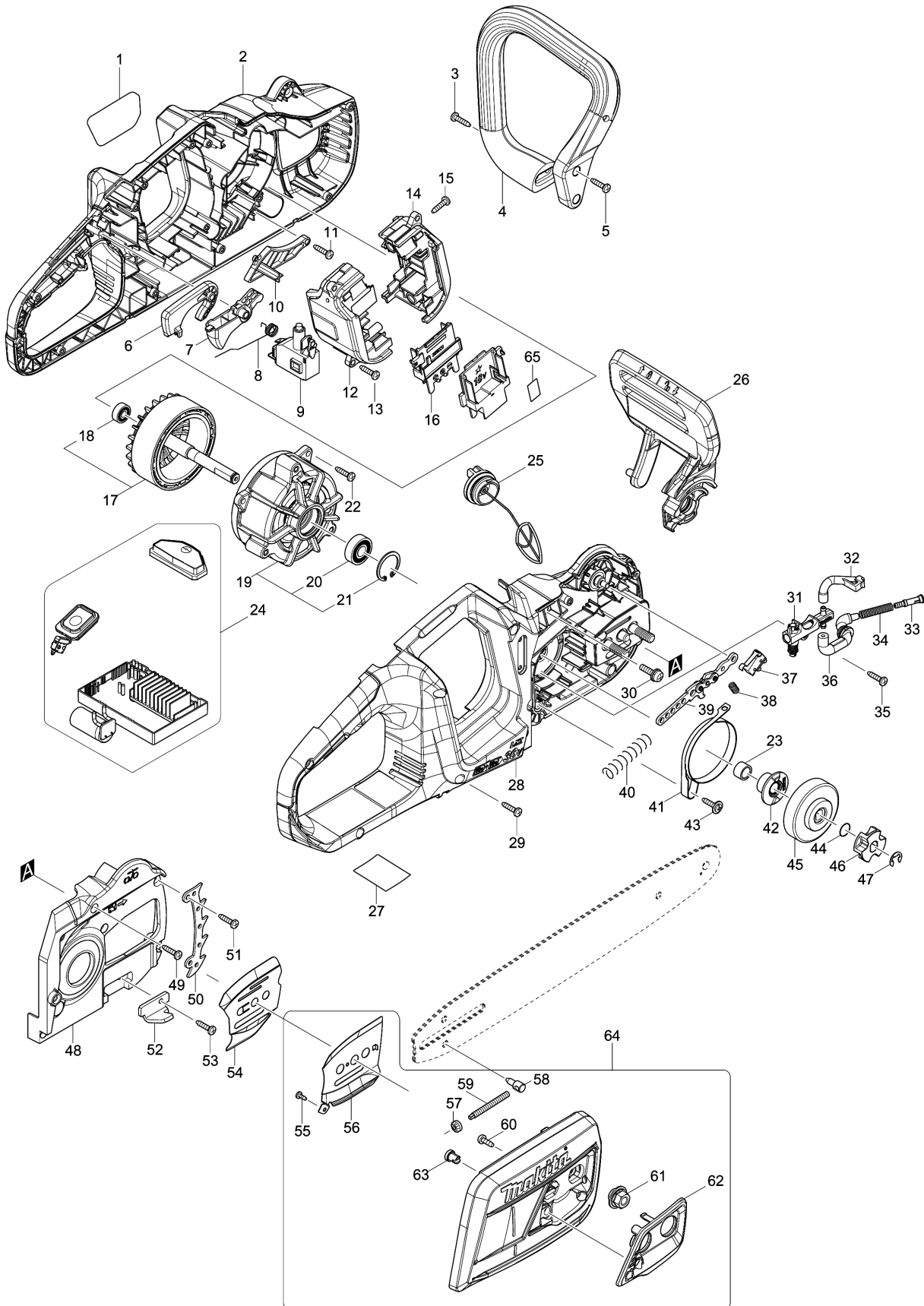


Model No.DUC355 350MM CORDLESS CHAIN SAW



Model No.DUC355 350MM CORDLESS CHAIN SAW

| Položaj | Številka dela | Opis | Sprememba | Količina | New/Old | Opcijsko 1 | Opcijsko 2 | Opomba |
|---------|---------------|-----------------------------------|-----------|----------|---------|------------|------------|--------|
| 001 | 818F45-8 | DUC355 MODEL NO. LABEL | | 1 | | | | |
| 002 | 183K81-6 | HOUSING SET | | 1 | * | | | |
| C10 | 812D15-7 | CAUTION LABEL | | 1 | * | | | |
| D10 | | INC. 28 | | | * | | | |
| 002-1 | 183K81-6 | HOUSING SET | O | 1 | | | | |
| C10 | 812D15-7 | CAUTION LABEL | | 1 | | | | |
| D10 | | INC. 28 | | | | | | |
| 003 | 266326-2 | Pločevinasti vijak 4x18 UB1103 | | 2 | | | | |
| 004 | 457007-1 | FRONT HANDLE | | 1 | | | | |
| 005 | 266326-2 | Pločevinasti vijak 4x18 UB1103 | | 2 | | | | |
| 006 | 457013-6 | CATCH LEVER | | 1 | | | | |
| 007 | 457006-3 | SWITCH LEVER | | 1 | | | | |
| 008 | 232318-3 | TORSION SPRING 10 | | 1 | | | | |
| 009 | 650781-2 | SWITCH C3JW-6B-P | | 1 | | | | |
| 010 | 457010-2 | HOUSING L COVER | | 1 | | | | |
| 011 | 266326-2 | Pločevinasti vijak 4x18 UB1103 | | 1 | | | | |
| 012 | 183F15-9 | TERMINAL BOX SET | | 1 | | | | |
| C10 | 263005-3 | Gumi zatič 6 | | 4 | | | | |
| D10 | | INC. 14 | | | | | | |
| 013 | 266326-2 | Pločevinasti vijak 4x18 UB1103 | | 4 | | | | |
| 014 | 183F15-9 | TERMINAL BOX SET | | 1 | | | | |
| C10 | 263005-3 | Gumi zatič 6 | | 4 | | | | |
| D10 | | INC. 12 | | | | | | |
| 015 | 266326-2 | Pločevinasti vijak 4x18 UB1103 | | 2 | | | | |
| 016 | 643874-2 | TERMINAL | | 2 | | | | |
| 017 | 519411-3 | ROTOR ASS'Y | | 1 | | | | |
| D10 | | INC. 18 | | | | | | |
| 018 | 210028-2 | Kroglični ležaj 606ZZ | | 1 | | | | |
| 019 | 592H45-5 | STATOR ASS'Y | | 1 | | | | |
| D10 | | INC. 20,21 | | | | | | |
| 020 | 210059-1 | Kroglični ležaj 6000DDW GA9050 | | 1 | | | | |
| 021 | 962105-3 | Zaščitni obroč R-26 GA4030 | | 1 | | | | |
| 022 | 266326-2 | Pločevinasti vijak 4x18 UB1103 | | 3 | | | | |
| 023 | 257402-3 | SLEEVE 10 | | 1 | | | | |
| 024 | 144254-0 | CONTROLLER COMPLETE | | 1 | | | | |
| 025 | 168508-1 | TANK CAP COMPLETE | | 1 | | | | |
| C10 | 213355-6 | O-RING 25 | | 1 | | | | |
| 026 | 458418-3 | FRONT HAND GUARD | | 1 | | | | |
| 027 | 855A12-2 | DUC355 NAME PLATE | | 1 | | | | |

Please order the parts with part number.

Print Date 4/11/2020

Model No.DUC355 350MM CORDLESS CHAIN SAW

| Položaj | Številka dela | Opis | Sprememba | Količina | New/Old | Opcijsko 1 | Opcijsko 2 | Opomba |
|---------|---------------|--|-----------|----------|---------|------------|------------|--------|
| 028 | 183K81-6 | HOUSING SET | | 1 | * | | | |
| C10 | 812D15-7 | CAUTION LABEL | | 1 | * | | | |
| D10 | | INC. 2 | | | * | | | |
| 028-1 | 183K81-6 | HOUSING SET | O | 1 | | | | |
| C10 | 812D15-7 | CAUTION LABEL | | 1 | | | | |
| D10 | | INC. 2 | | | | | | |
| 029 | 266326-2 | Pločevinasti vijak 4x18 UB1103 | | 8 | | | | |
| 030 | 911233-1 | Vijak z nizko cilindrično glavo M5x20 | | 3 | | | | |
| 031 | 142156-4 | OIL PUMP COMPLETE | | 1 | | | | |
| 032 | 424904-6 | CONNECTOR B | | 1 | | | | |
| 033 | 452666-6 | Ventil mazalne cevi | | 1 | | | | |
| 034 | 234207-8 | Tlačna spiralna vzmet 6 | | 1 | | | | |
| 035 | 266326-2 | Pločevinasti vijak 4x18 UB1103 | | 1 | | | | |
| 036 | 424903-8 | CONNECTOR A | | 1 | | | | |
| 037 | 632H47-0 | SWITCH UNIT | | 1 | | | | |
| 038 | 231298-0 | Tlačna spiralna vzmet 6 | | 1 | | | | |
| 039 | 163448-8 | LINKPLATE COMPLETE | | 1 | | | | |
| 040 | 232319-1 | COMPRESSION SPRING 9 | | 1 | | | | |
| 041 | 345454-7 | Zavorni trak pogonskega bobna | | 1 | | | | |
| 042 | 221427-3 | WORM GEAR | | 1 | | | | |
| 043 | 265620-9 | TAPPING SCREW FLANGE 4X18 | | 1 | | | | |
| 044 | 213060-5 | O RING 10 | | 1 | | | | |
| 045 | 161891-5 | BRAKE DRUM COMPLETE | | 1 | | | | |
| 046 | 221464-7 | SPROCKET 6 | | 1 | | | | |
| 047 | 961013-5 | Zaporno tesnilo E-7 | | 1 | | | | |
| 048 | 457004-7 | HOUSING R COVER | | 1 | | | | |
| 049 | 266326-2 | Pločevinasti vijak 4x18 UB1103 | | 4 | | | | |
| 050 | 347078-5 | SPIKE BUMPER | | 1 | | | | |
| 051 | 266326-2 | Pločevinasti vijak 4x18 UB1103 | | 2 | | | | |
| 052 | 347079-3 | CHAIN CATCHER | | 1 | | | | |
| 053 | 266326-2 | Pločevinasti vijak 4x18 UB1103 | | 1 | | | | |
| 054 | 346694-0 | GUIDE PLATE ES | | 1 | | | | |
| 055 | 266166-8 | Pločevinasti vijak CT 3x8 | | 2 | | | | |
| 056 | 346699-0 | GUIDE PLATE CS | | 1 | | | | |
| 057 | 227496-2 | Ravni stožčasti zobnik 14 UC3020A | | 1 | | | | |
| 058 | 326311-8 | ADJUST PIN | | 1 | | | | |
| 059 | 326313-4 | ADJUST SCREW | | 1 | | | | |
| 060 | 266427-6 | Samovrezni vijak 4x12 | | 2 | | | | |

Model No.DUC355 350MM CORDLESS CHAIN SAW

| Položaj | Številka dela | Opis | Sprememba | Količina | New/Old | Opcijsko 1 | Opcijsko 2 | Opomba |
|---------|---------------|------------------------------|-----------|----------|---------|------------|------------|--------|
| 061 | 162493-0 | FLANGE NUT COMPLETE | | 2 | * | | | |
| 061-1 | 162493-0 | FLANGE NUT COMPLETE | O | 2 | | | | |
| 062 | 454620-6 | NUT COVER | | 1 | | | | |
| 063 | 227620-7 | DRIVE GEAR | | 1 | | | | |
| 064 | 136071-2 | SPROCKET COVER ASSY | | 1 | | | | |
| D10 | | INC. 55-63 | | | * | | | |
| D11 | | INC. 55-63,66 | | | | | | |
| 065 | 855A18-0 | DUC355 SERIAL NO. LABEL | | 1 | | | | |
| 066 | 458871-3 | SPROCKET COVER | | 1 | | | | |
| A01 | 782027-9 | BOX WRENCH | | 1 | | | | |
| A02 | 165246-6 | GUIDE BAR | | 1 | * | | | |
| A02-1 | 165246-6 | GUIDE BAR | O | 1 | | | | |
| A03 | 419288-5 | Ščitnik za meč 30 cm | | 1 | | | | |
| A04 | 196741-5 | SAW CHAIN SET | | 1 | | | | |
| A05 | 182229-1 | Ojle za verigo, 100ml | | 1 | | | | |
| A06B | ***DC18RD | DC18RD TWO PORT FAST CHARGER | | 1 | | | | |
| D10 | | COMPO-PARTS | | | | | | |
| A07B | 197280-8 | BATTERY BL1850B SET | | 2 | * | | | |
| A07-1B | 197280-8 | BATTERY BL1850B SET | O | 2 | | | | |

Please order the parts with part number.

Print Date 4/11/2020